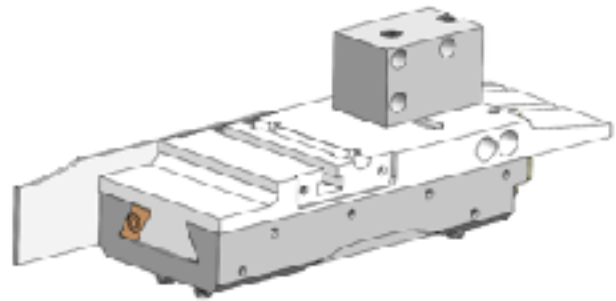
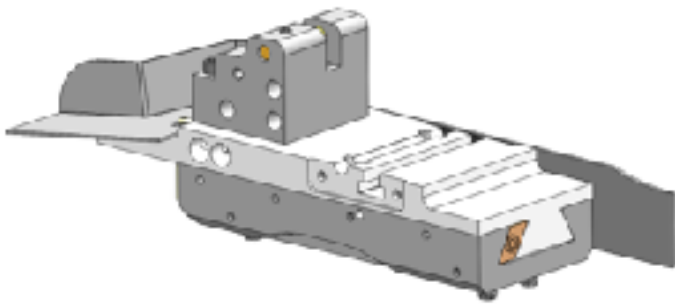




## Product Bulletin

**132EGA****Cross Slides****132EGB**

CJWinter's 132EG series cross slides have recently been updated to include several new features to improve serviceability, longevity and quality of the slides. The top blocks are now smaller and position specific, making them more similar to the classic Davenport size for 1<sup>st</sup> and 2<sup>nd</sup> position. They are also completely removable, which makes maintaining the slides and adjacent machine components much easier. This also allows customers the option of leaving the top off completely in 2<sup>nd</sup> position, opening up room for larger tools, extra clearance for 3<sup>rd</sup> position swing-arm attachments, and easier access to the work-zone. For strength and rigidity, the slides and bases are now machined from solid billet material, not castings. 132EG series slides now come with hardened and ground dovetail ways to compliment the patented **Zero-Clearance Expansion Gib** design to ensure highly rigid tool delivery and long trouble-free life. Slides now come standard from the factory with a precision-ground clearance between slide and chip guard plate. When ordering slides, use assembly numbers 132EGA and 132EGB for position-specific equipment.

### New Features:

- **Removable Top Block** – Low profile, position-specific, easier adjustments & machine maintenance
- **Solid Billet Material** – Adds strength, rigidity, and enhances quality.
- **Hardened Dovetail Ways and Tooling Area** – Deep case-hardened, ground for precision and smooth running, longer life and resistance to wear and damage
- **Precision ground clearance between slide and chip guard plate** – tight gaps, and curved leading edge of slide to help wipe chips away and keep slide clean.

CJWinter and Davenport Machine OEM parts are constantly being redesigned to maximize the *value* to the Customer. Any parts supplier can sell you yet another *replacement* part for your *problem*. Let the team at Davenport Machine supply you with a cost effective *solution* to it instead. Contact your local distributor, or call us directly at 1-800-344-5748 and ask about our many new and improved products that will help put profits back where they belong... in your pocket.

Visit us at [www.davenportmachine.com](http://www.davenportmachine.com) today to see all of our New Product Bulletins